

# SUBMITTAL/TECHNICAL DATA SHEET



## DESCRIPTION

Tile Ready Access Door is fire-rated, uninsulated and provides access through openings in vertical surfaces for ceramic tile applications. When installed, the door and frame is concealed, providing an aesthetically pleasing appearance.

## FEATURES

- Fire-Rated
- Self-Closing
- Tile Wall Installation
- Custom Sizing

## SPECIFICATIONS

MODEL: BRU/BRUW

DOOR: 14 gauge Steel

FRAME: 16 gauge Steel

SIZE:  
Min: 10 inches by 10 inches  
Max: 24 inches by 24 inches

INSTALLATION: Wall

FLANGE: 1 inch Exposed or Drywall Bead

HINGE: Cabinet

CERTIFICATION: UL listed "B" label for 1-1/2 hours

WARRANTY: 1 year

OPTIONS: Flanges, Latches, and Materials



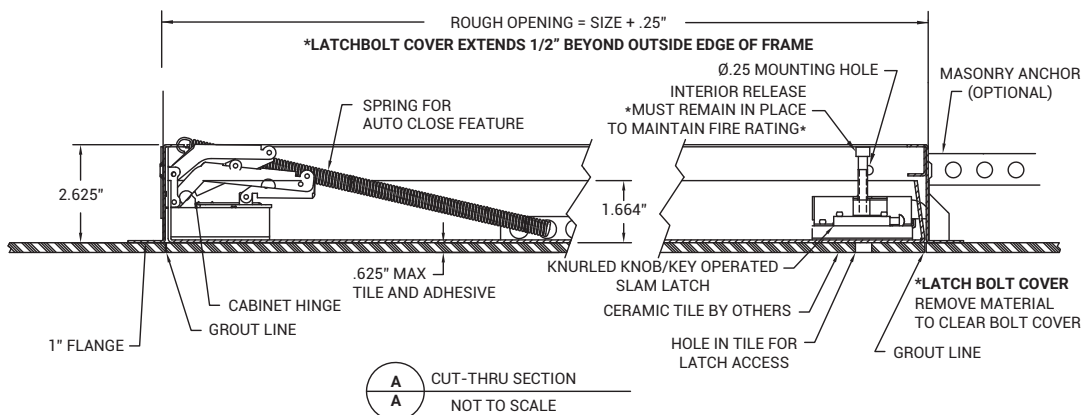
## DIMENSIONS AND APPEARANCE

>> CLICK TO VIEW ADDITIONAL DETAILS AND PRICING <<

### ORDER GUIDE:

BASE	FLANGE	LATCH	WIDTH	X	LENGTH	OPTIONS
BRU				X		
	T 1 inch Flange	K Knurled Knob / Key Operated Latch Bolt	STANDARD SIZES			S Stainless Steel, Type 304
	W Drywall Bead	M Mortise Lock Prep (1-1/8")	10" X 10"		18" X 18"	
			12" X 12"		24" X 24"	
			16" X 16"			

Rough opening is door size + 1/4 inch minimum.  
Additional sizes available.





FOR DETAILED SPECIFICATIONS SEE SUBMITTAL SHEET

For a complete list of options visit  
[www.AccessDoorsAndPanels.com](http://www.AccessDoorsAndPanels.com)

## PROJECT DATA

Custom Sizes Available - Fast!

PROJECT NAME :	QTY	W	H	OPTIONS
ARCHITECT :				
DEALER :				
CONTRACTOR :				
LOCATION :	SPECIAL INSTRUCTIONS :			
DATE :	SUBMITTAL APPROVAL : (signature or stamp)			
TAGGING INSTRUCTIONS :				

Scan  or  Click



To view Pricing and  
Additional Product Info.

TELEPHONE:  
1-888-457-1275  
FAX:  
1-888-626-2907

PO BOX 66738 #76520,  
SAINT LOUIS, MO  
63166-6738  
USA

WEBSITE:  
[www.AccessDoorsAndPanels.com](http://www.AccessDoorsAndPanels.com)  
E-MAIL:  
[info@AccessDoorsAndPanels.com](mailto:info@AccessDoorsAndPanels.com)

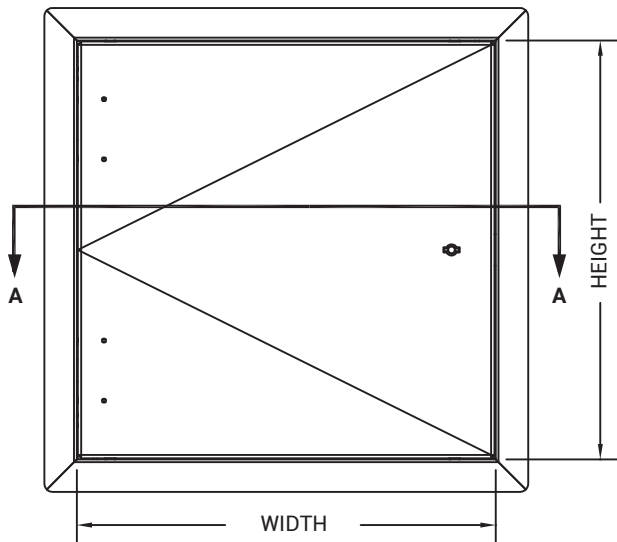


# B RUT

# FIRE RATED ACCESS PANEL FOR TILE APPLICATION

STANDARD SIZES (Inches)	STANDARD SIZES (mm)	Weight/Latches	STANDARD SIZES (Inches)	STANDARD SIZES (mm)	Weight/Latches
10" x 10"	254 x 254	8/1	16" x 16"	406 x 406	12/1
12" x 12"	305 x 305	9/1	18" x 18"	457 x 457	14/1
12" x 18"	305 x 457	13/1	18" x 24"	457 x 610	19/1
12" x 24"	305 x 610	14/1	24" x 24"	610 x 610	21/1

All units are hinged on the second dimension (height). Rough opening is size plus 1/4".  
These access doors are designed for use in wall applications only.



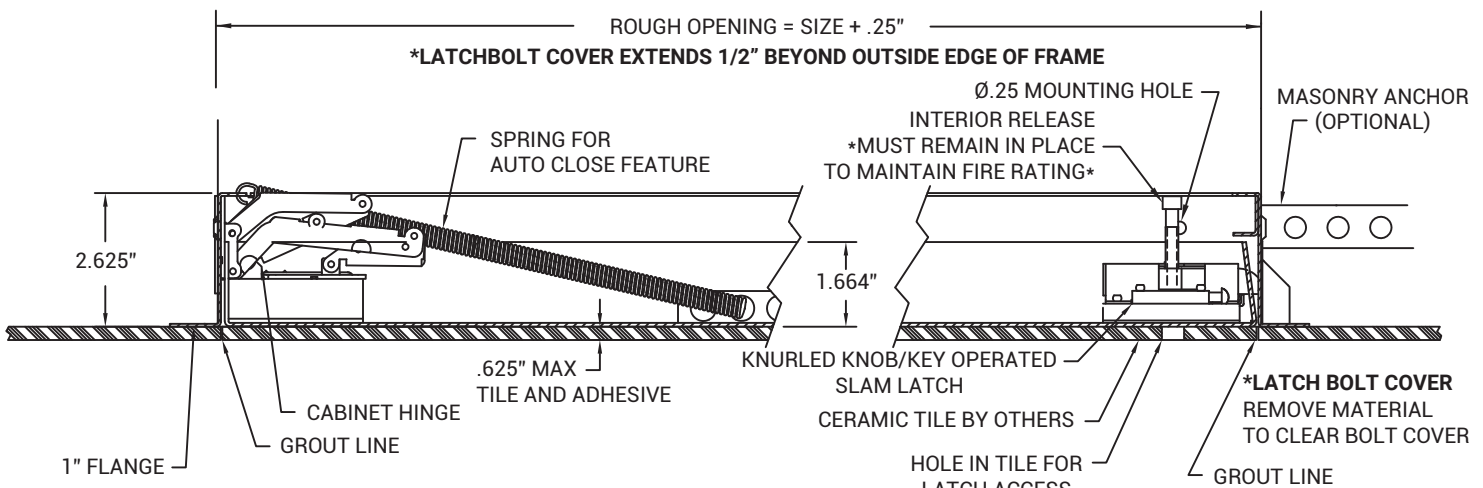
**FRONT ELEVATION**  
**NOT TO SCALE**

**SPECIFICATIONS:**

- 16 GAUGE GALVANNEALED STEEL FRAME
- 14 GAUGE GALVANNEALED STEEL DOOR
- CABINET HINGE
- FRAMES PROVIDED WITH 1/4" MOUNTING HOLES
- KNURLED KNOB/KEY OPERATED SLAM LATCH
- SPRING DOOR CLOSURE
- "WIDE EXPOSED FLANGE
- INTERIOR RELEASE MECHANISM
- DOOR OPENS TO 90° MAX
- 5/8" MAXIMUM THICKNESS OF TILE AND ADHESIVE
- FIRE RATED UP TO SIZE 24 W X 24 H

**LISTINGS**

1 1/2 HR, \*B\* LABEL



**A** CUT-THRU SECTION  
**A** NOT TO SCALE